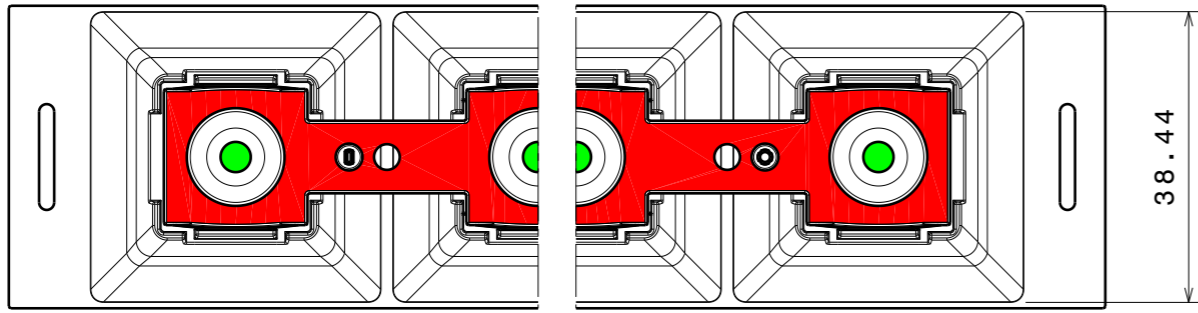
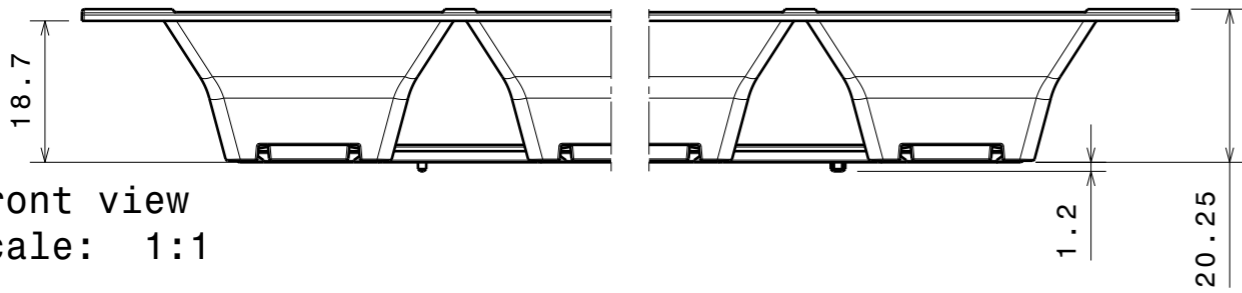


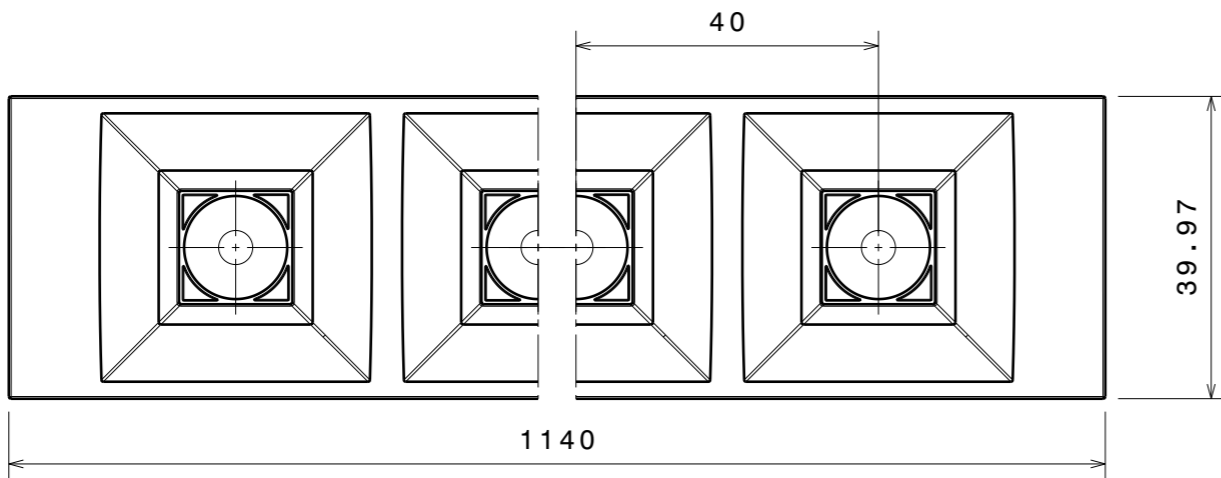
H G F E D C B A



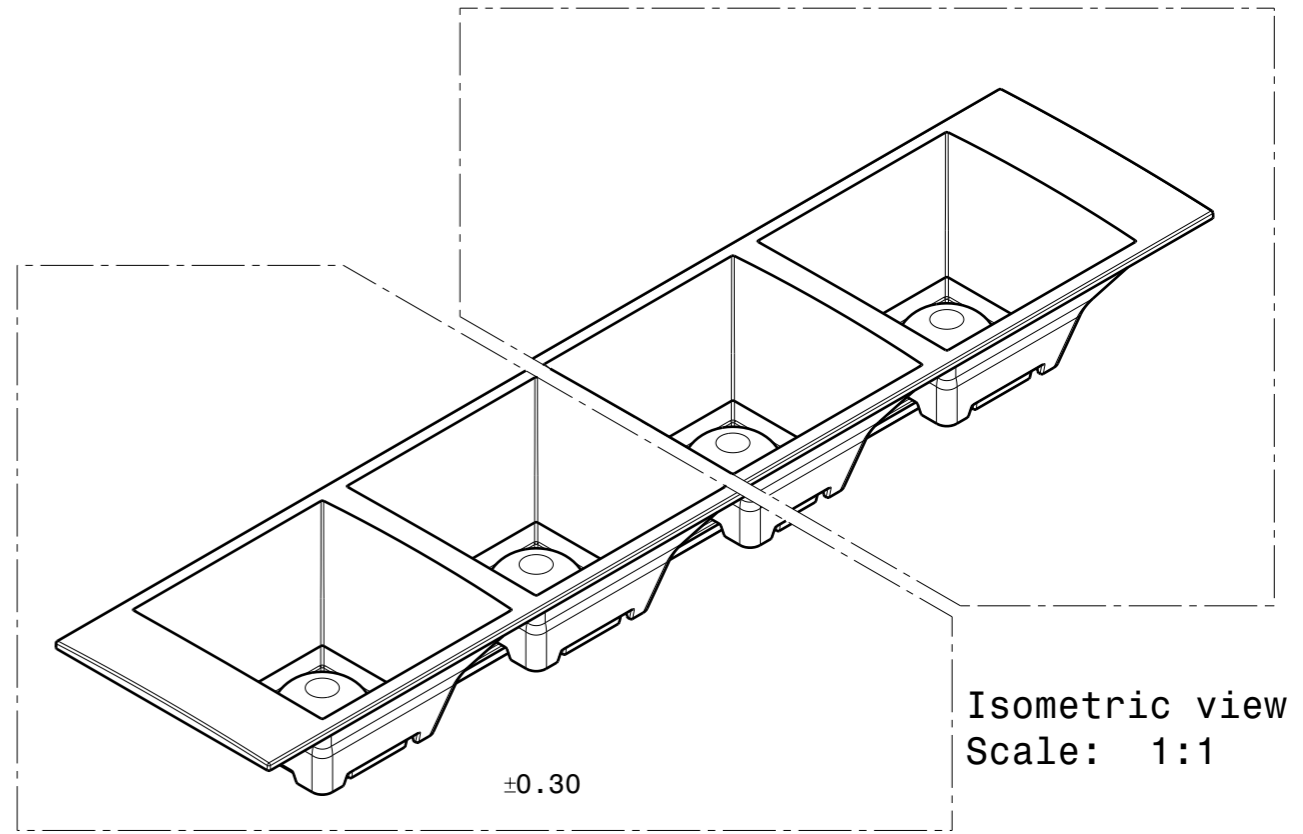
Bottom view  
Scale: 1:1



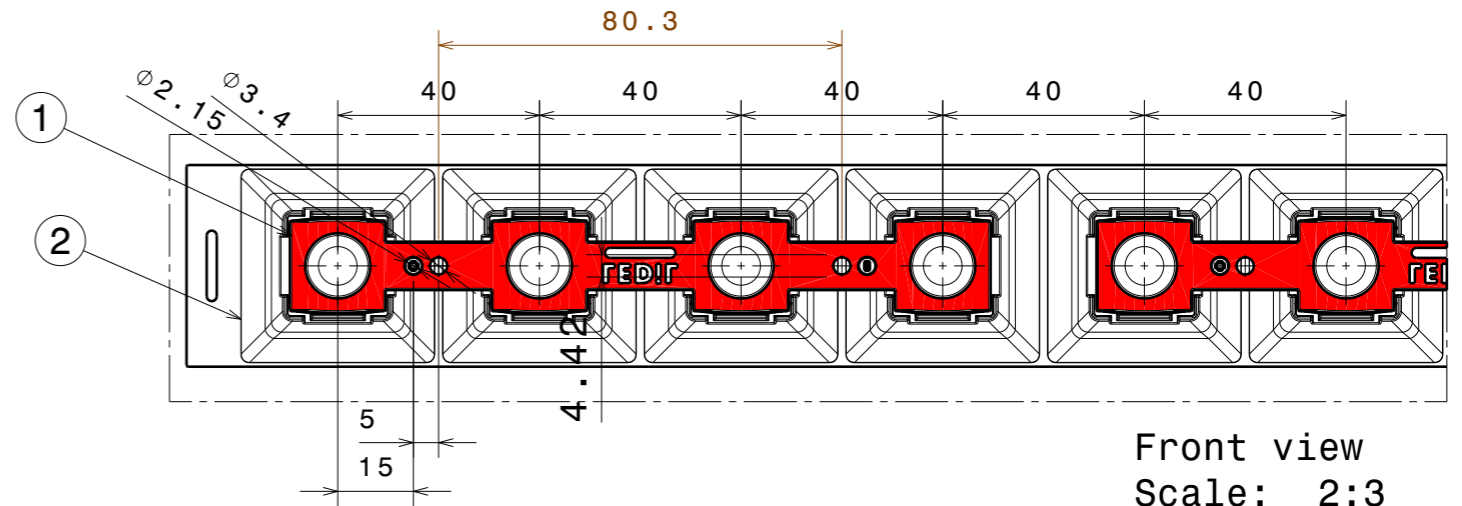
Front view  
Scale: 1:1



Top view  
Scale: 1:1



Isometric view  
Scale: 1:1



Front view  
Scale: 2:3

INDEX	QTY.	PART NO	TYPE	MATERIAL	COLOR / COATING
1	7	C16584_DAISSY-4x1-WW	LENS	PMMA	CLEAR
2	1	C16585_DAISSY_28X1-SHD	SHD	PC/ABS	BLACK

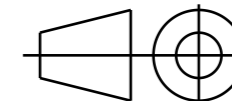
**MECHANICAL DRAWING**

PRODUCT  
**DAISSY-28X1**

**LEDiL®**

Plastic moulding general tolerances according to DIN 16901-130 and applies if not otherwise shown in the drawing.  
Silicone moulding general tolerances according to ISO 3302-1 Class M3 and applies if not otherwise shown in the drawing.

FIRST ANGLE PROJECTION:



This drawing is the property of LEDiL Oy. It may not be copied or otherwise distributed without prior written permission from LEDiL Oy.

SCALE 1:1

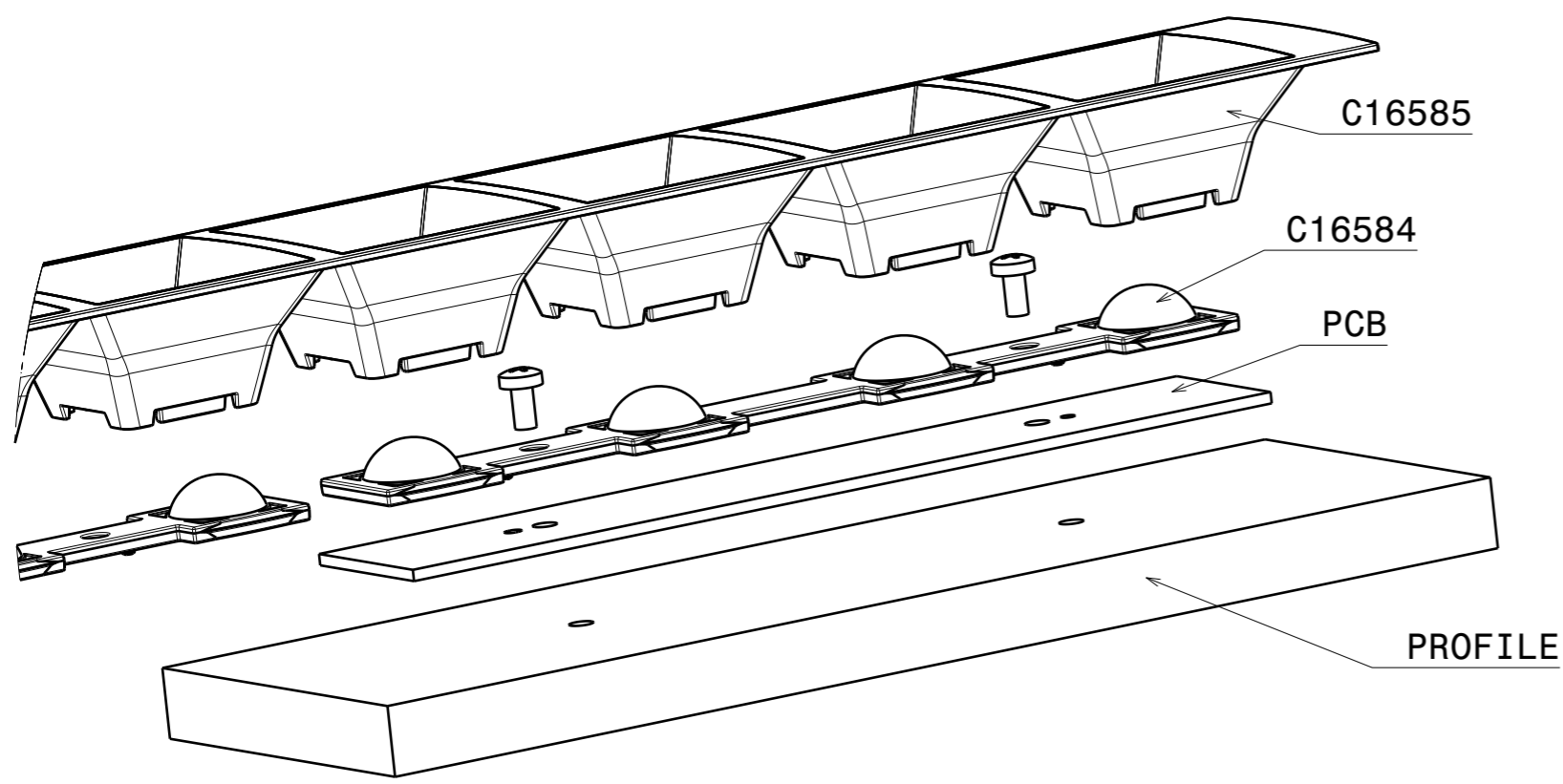
WEIGHT -

A3 SHEET 1/1

**Notes**

Ensure LED fitting from a product specific 3D model available from [www.ledil.com](http://www.ledil.com)  
For more details about installation please see LEDiL Installation Guide on [www.ledil.com](http://www.ledil.com)

@ A B A



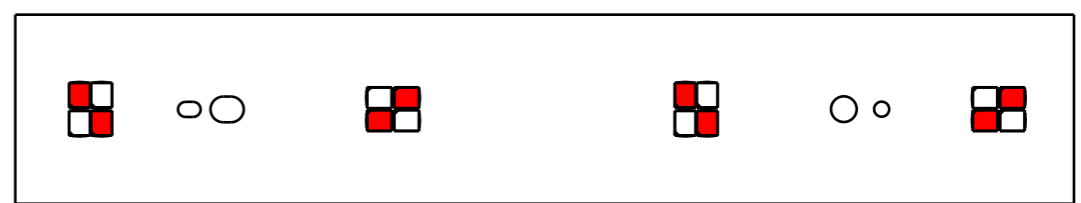
Positioning of different LED combinations  
Recommended LED spacing in clusters 0.2mm



LED 1 X 5050

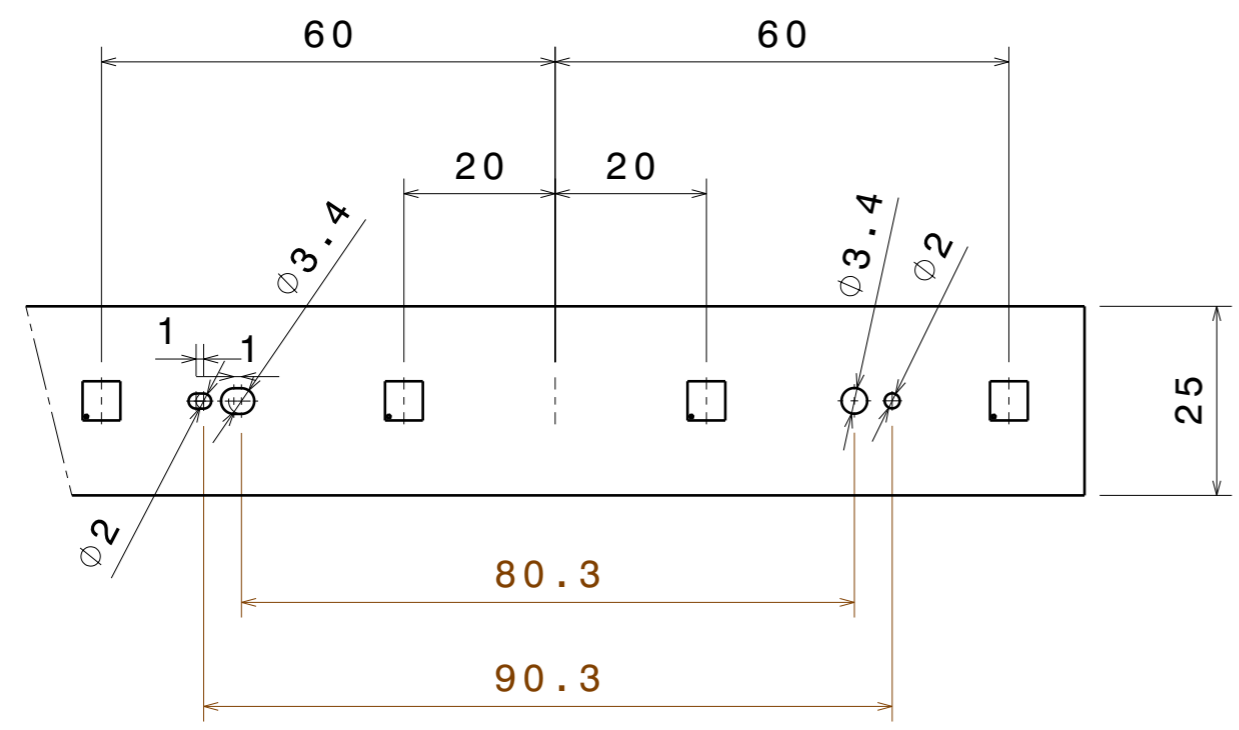


LED 2 X 5630



LED 4 X 2835

Scale: 1:1



INDEX	QTY.	PART NO	TYPE	MATERIAL	COLOR / COATING
1	7	C16584_DAISSY-4X1-WW	LENS	PMMA	CLEAR
2	1	C16585_28X1-SHD	SHD	PC/ABS	BLACK

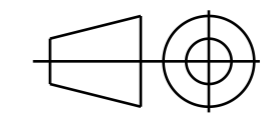
**MECHANICAL DRAWING**

PRODUCT **DAISSY - 28X1**



Plastic moulding general tolerances according to DIN 16901-130 and applies if not otherwise shown in the drawing. Silicone moulding general tolerances according to ISO 3302-1 Class M3 and applies if not otherwise shown in the drawing.

FIRST ANGLE PROJECTION:



This drawing is the property of LEDiL Oy. It may not be copied or otherwise distributed without prior written permission from LEDiL Oy.

SCALE	1:1	WEIGHT	-	A3	SHEET 1/1
-------	-----	--------	---	----	-----------

**Notes**

Ensure LED fitting from a product specific 3D model available from [www.ledil.com](http://www.ledil.com)  
For more details about installation please see LEDiL Installation Guide on [www.ledil.com](http://www.ledil.com)